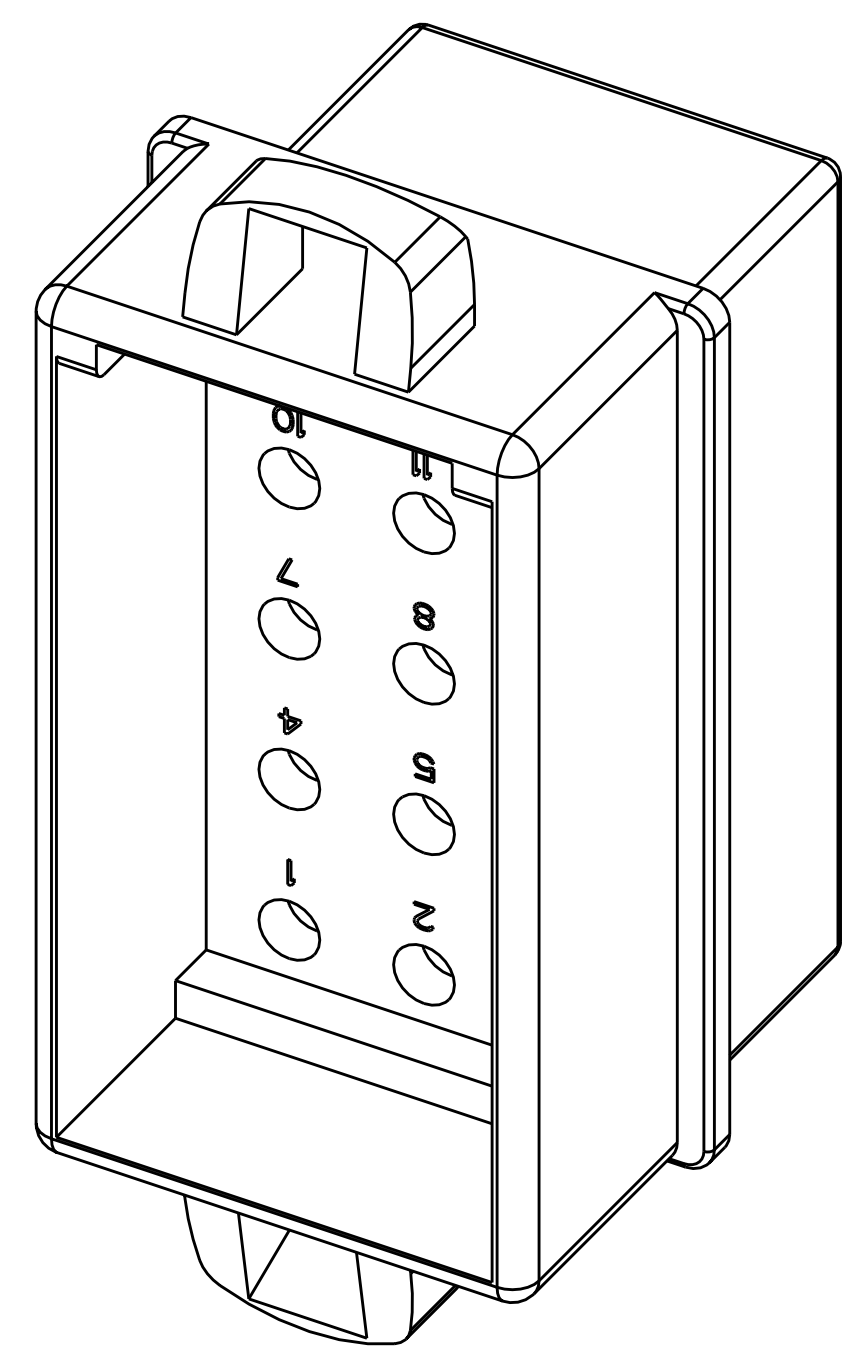
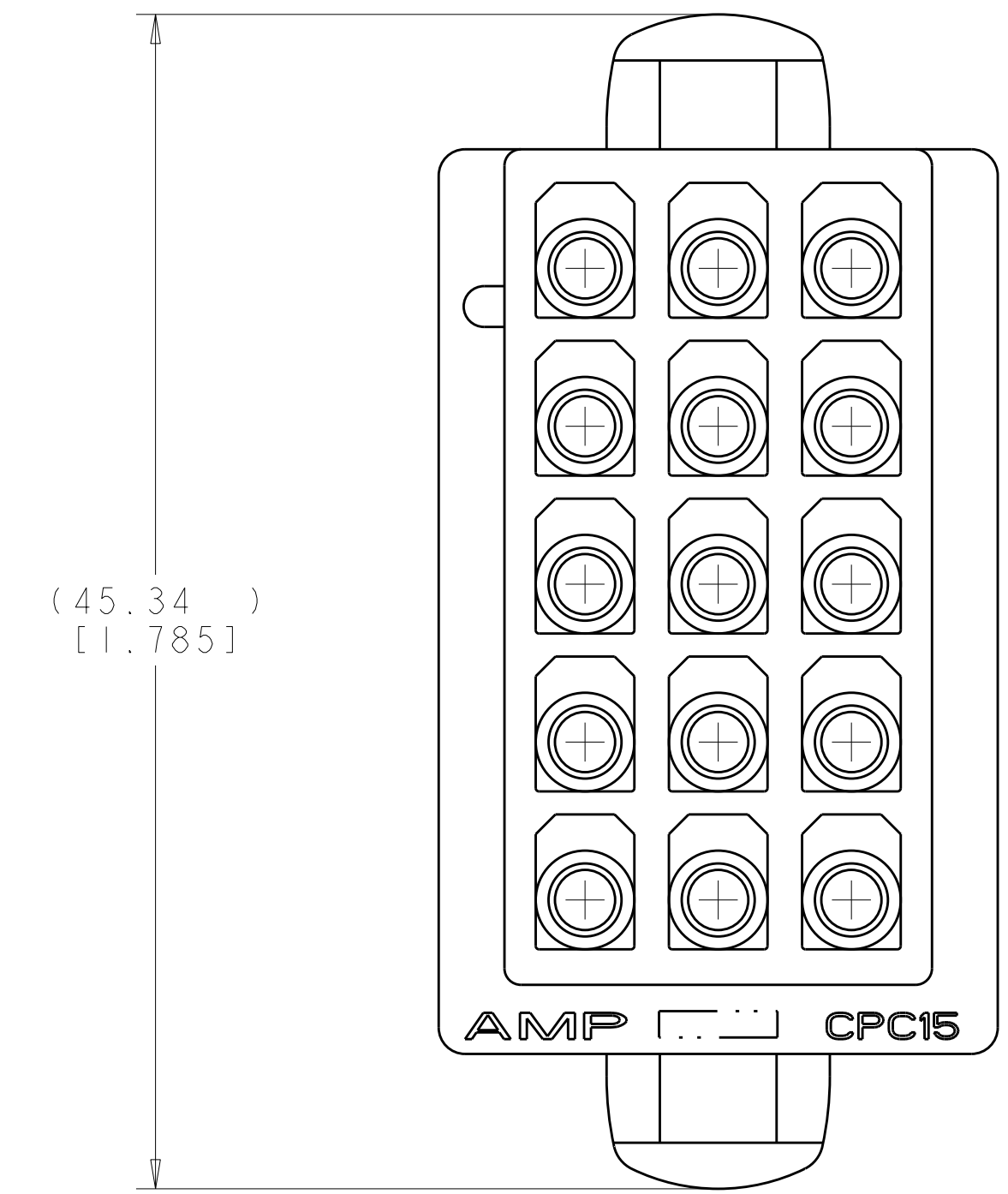
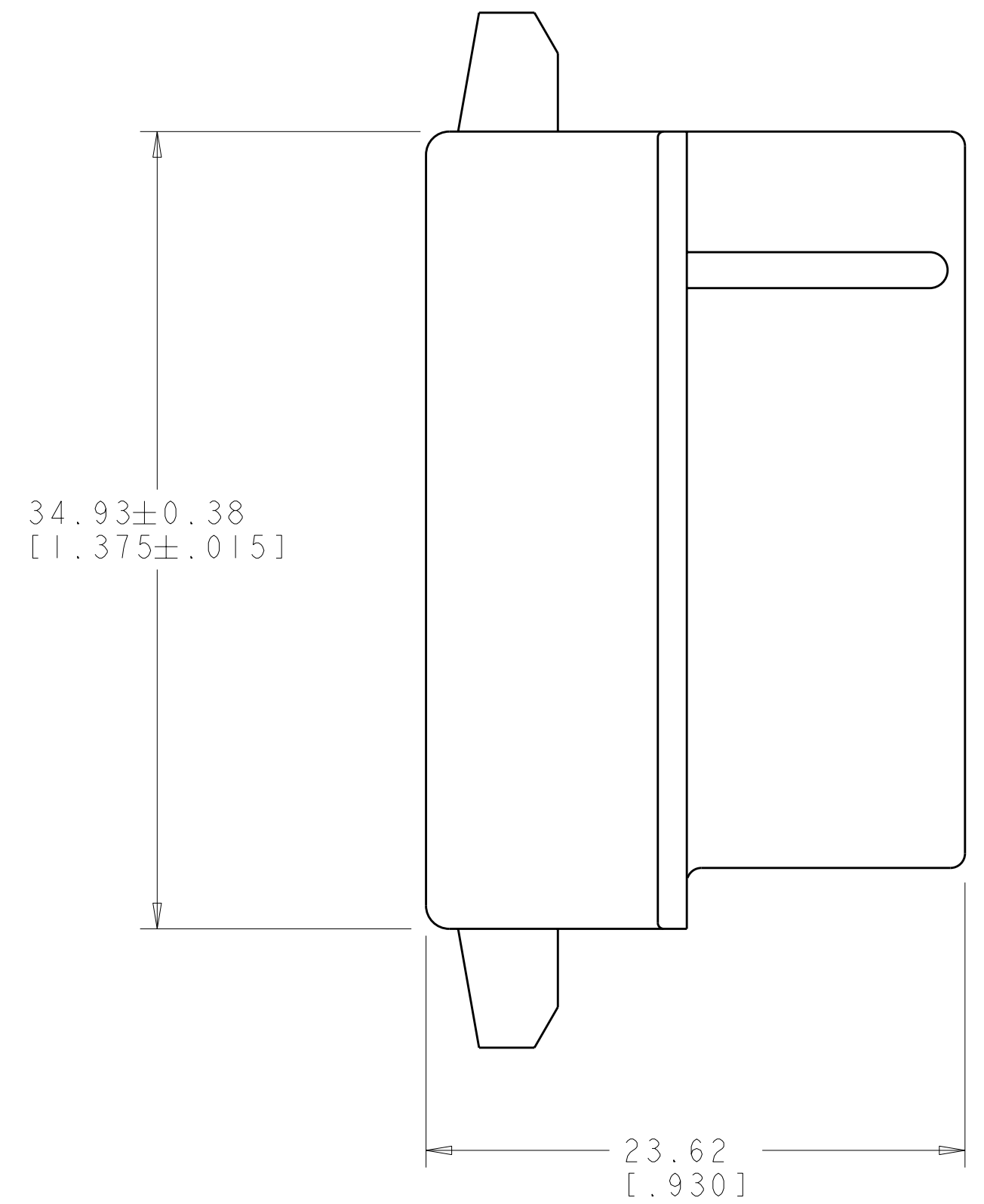
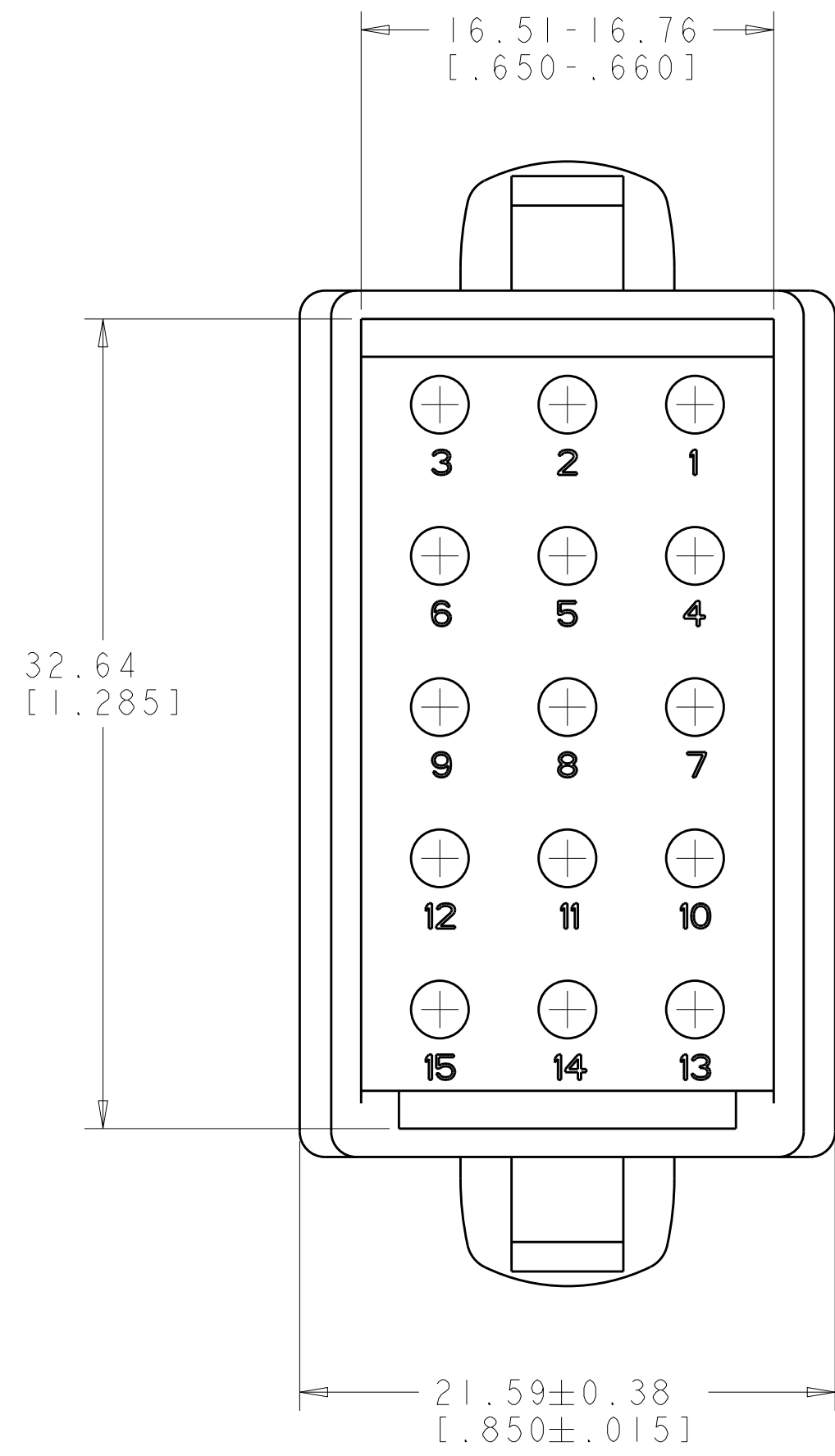


LOC		DIST		REVISIONS			
CM	00	P	LTB	DESCRIPTION	DATE	DWN	APVD
		T		ECO-08-007186	19MAR2008	KW	CC

1. TO BE USED WITH MATE-N-LOK™ PINS.
2. THIS CAP TO BE USED WITH PLUG 480323.



0.397 IN <sup>3</sup>	1-480324-0
VOLUME	PART NUMBER

<small>THIS DRAWING IS UNPUBLISHED. RELEASED FOR PUBLICATION. ALL RIGHTS RESERVED. THIS IS SUBJECT TO CHANGE WITHOUT NOTICE AND WITHOUT OBLIGATION. SHOULD BE CONTACTED FOR THE LATEST REVISION.</small>		DWN: R. WHITAKER 19MAR2008 CHK: C. CASH 19MAR2008 APVD: C. CASH 19MAR2008	Tyco Electronics Harrisburg, PA 17105-3608
DIMENSIONS: mm [ INCHES ]	TOLERANCES UNLESS OTHERWISE SPECIFIED: 0 PLC ± 1 PLC ± 2 PLC ±0.13 (1.005) 3 PLC ± 4 PLC ± ANGLES ±1°	NAME: CAP, 15 CIRCUIT, MATE-N-LOK(TM) PRODUCT SPEC: APPLICATION SPEC: FINISH:	SIZE: A   00779   C=480324 RESTRICTED TO:
MATERIAL: NYLON, NATURAL	WEIGHT:	CUSTOMER DRAWING	SCALE: 4:1   SHEET: 1 OF 1   REV: T

**METRIC**